

HN28F101 Series

131072-word × 8-bit CMOS Flash Memory

The Hitachi HN28F101 is a 131072-word x 8-bit CMOS flash Memory, realizing on-board programming. It programs or erases data with only on-board power supply (12 V V_{PP} supply/5 V V_{CC} supply). It programs data with fast programming algorithm by command inputs. It has two types of erase algorithm : automatic erase and fast erase by command inputs. Automatic erase function can erase data automatically without external control only by inputting trigger pulse and inform erase completion to CPU by status polling. The HN28F101 can control programming erase algorithm externally.

Features

- On-board power supply (V_{CC}/V_{PP})
 - $V_{CC} = 5 \text{ V} \pm 10\%$
 - $V_{PP} = V_{SS}$ to V_{CC} (Read)
 - $V_{PP} = 12.0 \text{ V} \pm 0.6 \text{ V}$ (Erase/Program)
- Fast access time
 - 120 ns/150 ns/200 ns (max)
- Programming function
 - Byte programming
 - Programming time: 25 μs typ/byte
 - Address, data, control latch function
- On-board automatic erase function
 - Chip erase
 - Erase time: 1 s typ
 - Address, data, control latch function
 - Status polling function
- Low power dissipation
 - $I_{CC} = 10 \text{ mA}$ typ (Read)
 - $I_{CC} = 20 \mu\text{A}$ max (Standby)
 - $I_{PP} = 30 \text{ mA}$ typ (Auto erase/Program)
 - $I_{PP} = 20 \mu\text{A}$ max (Read/Standby)

- Erasing endurance: 10,000 times
- Pin arrangement: 32-pin JEDEC standard
- Package
 - 32-pin DIP
 - 32-pin SOP
 - 32-pin TSOP
 - 32-pin PLCC

Ordering Information

Type No.	Access time	Package
HN28F101P-12	120 ns	32-pin plastic DIP
HN28F101P-15	150 ns	(DP-32)
HN28F101P-20	200 ns	
HN28F101FP-12	120 ns	32-pin plastic SOP
HN28F101FP-15	150 ns	(FP-32D)
HN28F101FP-20	200 ns	
HN28F101T-12	120 ns	32-pin plastic TSOP
HN28F101T-15	150 ns	(TFP-32DA)
HN28F101T-20	200 ns	
HN28F101R-12	120 ns	32-pin plastic TSOP
HN28F101R-15	150 ns	(TFP-32DAR)
HN28F101R-20	200 ns	
HN28F101CP-12	120 ns	32-pin PLCC
HN28F101CP-15	150 ns	(CP-32)
HN28F101CP-20	200 ns	

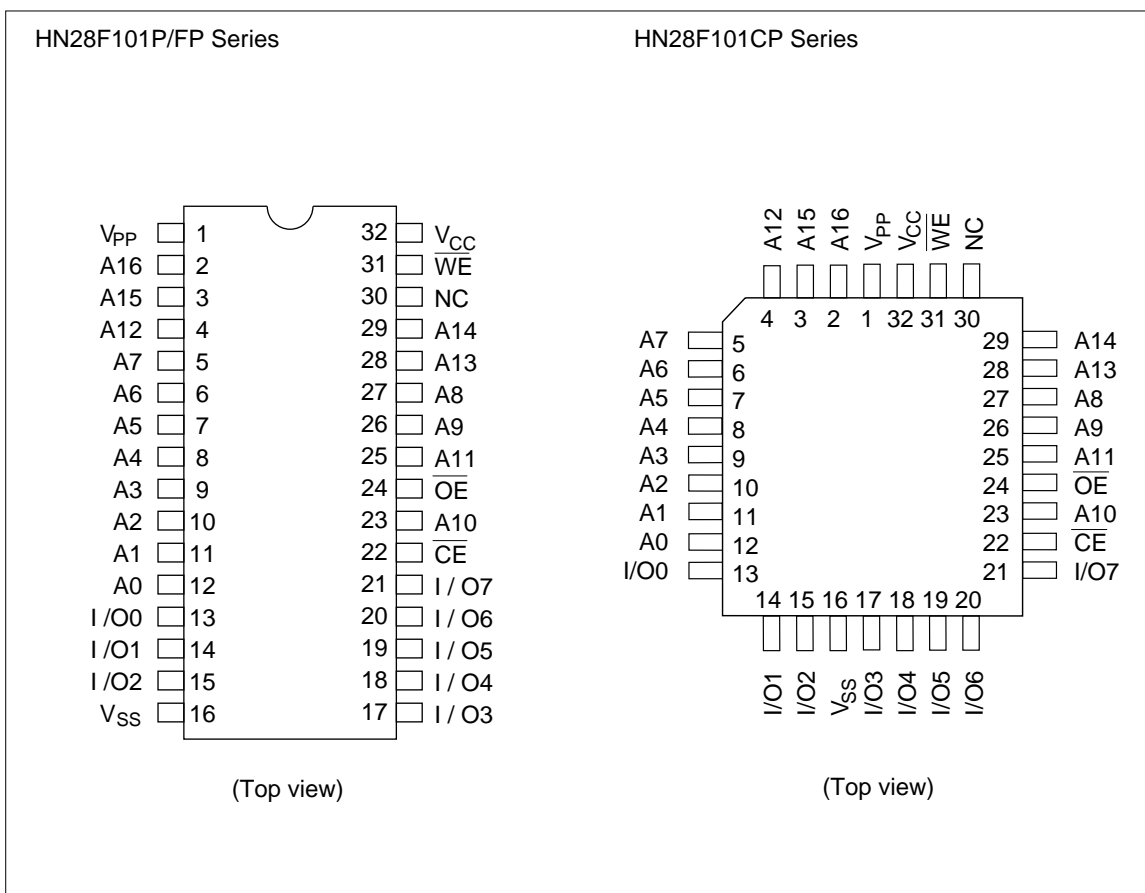
Ordering Information (cont.)

Type No.	Access time	Package
HN28F101TD-12	120 ns	32-pin plastic TSOP
HN28F101TD-15	150 ns	(TFP-32D)
HN28F101TD-20	200 ns	
HN28F101RD-12	120 ns	32-pin plastic TSOP
HN28F101RD-15	150 ns	(TFP-32DR)
HN28F101RD-20	200 ns	

Pin Description

Pin name	Function
A0-A16	Address
I/O0-I/O7	Input/output
\overline{CE}	Chip enable
\overline{OE}	Output enable
\overline{WE}	Write enable
V _{CC}	Power supply
V _{PP}	Programming power supply
V _{SS}	Ground

Pin Arrangement



Pin Arrangement (cont)

HN28F101T/TD Series



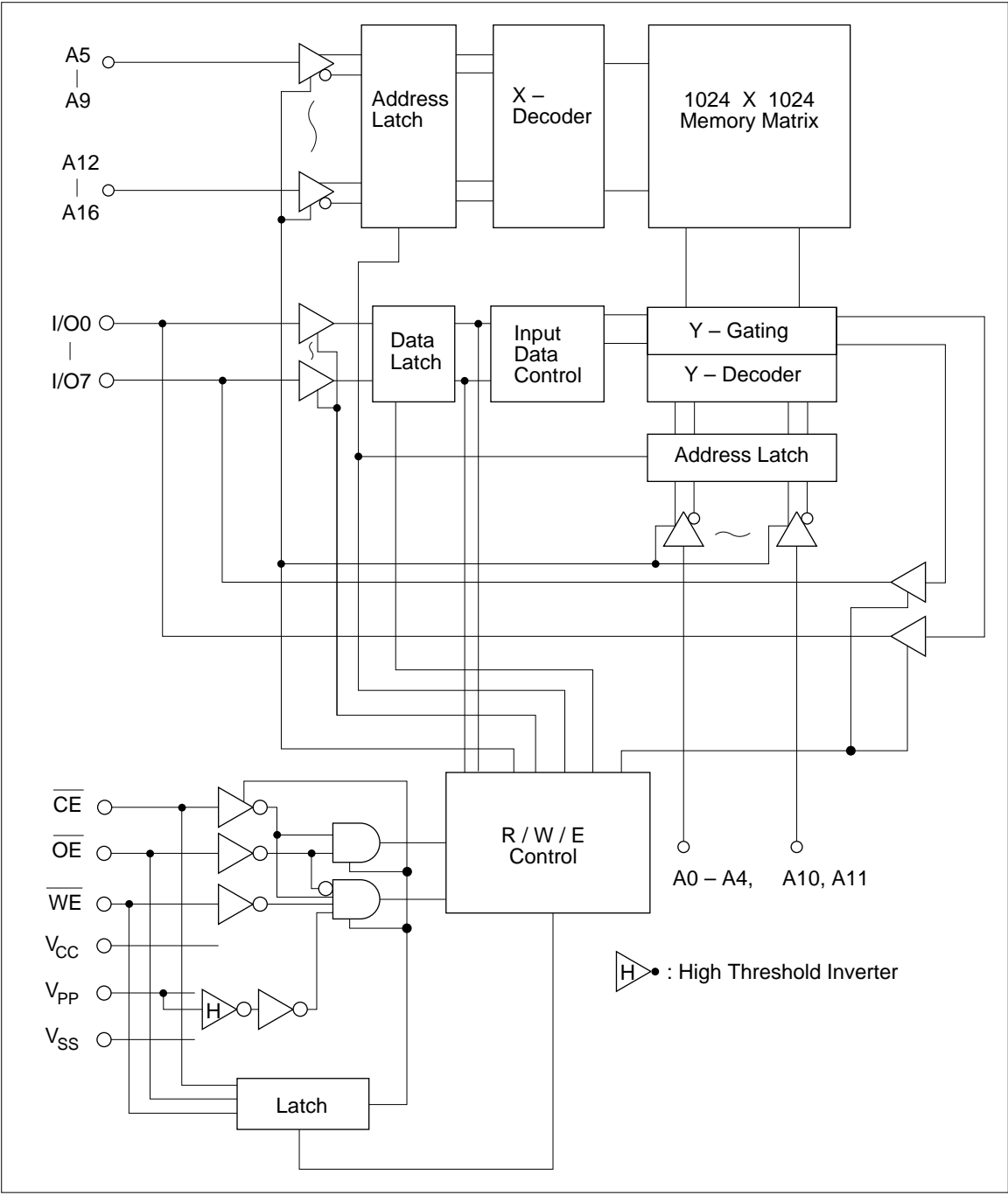
(Top view)

HN28F101R/RD Series



(Top view)

Block Diagram



Mode Selection

Mode	DIP, SOP, PLCC TSOP	Pin					
		V _{PP} (1) (9)	$\overline{\text{CE}}$ (22) (30)	$\overline{\text{OE}}$ (24) (32)	$\overline{\text{WE}}$ (31) (7)	A9 (26) (2)	I/O0 – I/O7 (13 – 15, 17 – 21) (21 – 23, 25 – 29)
Read	Read	V _{CC} ^{*6}	V _{IL}	V _{IL}	V _{IH}	A9	Dout
	Output disable	V _{CC}	V _{IL}	V _{IH}	V _{IH}	X	High-Z
	Standby	V _{CC}	V _{IH}	X	X	X	High-Z
	Identifier ^{*1}	V _{CC}	V _{IL}	V _{IL}	V _{IH}	VH ^{*2}	ID
Command program	Read ^{*3,*5}	V _{PP}	V _{IL}	V _{IL}	V _{IH}	A9	Dout
	Output disable	V _{PP}	V _{IL}	V _{IH}	V _{IH}	X	High-Z
	Standby	V _{PP}	V _{IH}	X	X	X	High-Z
	Write ^{*4}	V _{PP}	V _{IL}	V _{IH}	V _{IL}	A9	Din

- Notes:
1. Device identifier code can be output in command programming mode. Refer to the table of command address and data input.
 2. $V_H: 11.5 \leq V_H \leq 12.5V$.
 3. Data can be read when 12 V is applied to V_{PP}. Device identifier code can be output by command inputs.
 4. Refer to the table of command address and data input. Data is programmed, erased, or verified after mode setting by command inputs.
 5. Status of automatic erase can be verified in this mode. Status outputs on I/O7. I/O0 to I/O6 are in high impedance state.
 6. X : V_{IH} or V_{IL}. V_{PP} = 0 V to V_{CC}

Command Address and Data Input

Command	The number of cycle	First cycle			Second cycle		
		Operation mode ^{*1}	Address ^{*2}	Data ^{*3}	Operation mode ^{*1}	Address ^{*2}	Data ^{*3}
Read (memory) ^{*4}	1	Write	X	00H	Read	RA	Dout
Read identified codes	2	Write	X	90H	Read	IA	ID
Setup erase/erase ^{*5}	2	Write	X	20H	Write	X	20H
Erase verify ^{*5}	2	Write	EA	A0H	Read	X	EVD
Setup auto erase/ auto erase ^{*6}	2	Write	X	30H	Write	X	30H
Setup program/ program ^{*7}	2	Write	X	40H	Write	PA	PD
Program verify ^{*7}	2	Write	X	C0H	Read	X	PVD
Reset	2	Write	X	FFH	Write	X	FFH

- Notes:
1. Refer to command program mode in mode selection about operation mode.
 2. Refer to device identifier mode. IA = Identifier address, PA = Programming address, EA = Erase verify address, RA = Read address
 3. Refer to device identifier mode. PA are latched by programming command. ID = Identifier output code, PD = Programming data, PVD = Programming verify output data, EVD = Erase verify output data
 4. Command latch default value when applying 12 V to V_{PP} is "00H". Device is in read mode after V_{PP} is set 12 V (before other command is input).
 5. All data in chip are erased. Erase data according to fast high-reliability erase flowchart.
 6. All data in chip are erased. Data are erased automatically by internal logic circuit. External erase verify is not required. Erasure completion must be verified by status polling after automatic erase starts.
 7. Program data according to fast high-reliability programming flowchart.

Absolute Maximum Ratings

Parameter	Symbol	Value	Unit
All input and output voltage*1	V _{in} , V _{out}	-0.6*2 to +7.0	V
V _{PP} voltage*1	V _{PP}	-0.6 to +14.0	V
V _{CC} voltage*1	V _{CC}	-0.6 to +7.0	V
Operating temperature range	T _{opr}	0 to +70	°C
Storage temperature range*3	T _{stg}	-55 to +125	°C
Storage temperature under bias	T _{bias}	-10 to +80	°C

Notes: 1. Relative to V_{SS}.

2. V_{in}, V_{out}, V_{ID} min = -2.0 V for pulse width ≤ 20 ns.

3. Device storage temperature range before programming.

Capacitance (T_a = 25°C, f = 1 MHz)

Parameter	Symbol	Min	Typ	Max	Unit	Test condition
Input capacitance	C _{in}	—	—	6	pF	V _{in} = 0 V
Output capacitance	C _{out}	—	—	12	pF	V _{out} = 0 V

Read Operation

DC Characteristics ($V_{CC} = 5\text{ V} \pm 10\%$, $V_{PP} = V_{CC} - V_{SS}$, $T_a = 0\text{ to }+70^\circ\text{C}$)

Parameter	Symbol	Min	Typ	Max	Unit	Test condition
Input leakage current	I_{LI}	—	—	2	μA	$V_{in} = 0\text{ to }V_{CC}$
Output leakage current	I_{LO}	—	—	2	μA	$V_{out} = 0\text{ to }V_{CC}$
V_{PP} current	I_{PP1}	—	—	20	μA	$V_{PP} = 5.5\text{ V}$
Standby V_{CC} current	I_{SB1}	—	—	1	mA	$\overline{CE} = V_{IH}$
	I_{SB2}	—	—	20	μA	$\overline{CE} = V_{CC}$
Operating V_{CC} current	I_{CC1}	—	6	15	mA	$I_{out} = 0\text{ mA}$, $f = 1\text{ MHz}$
	I_{CC2}	—	10	30	mA	$I_{out} = 0\text{ mA}$, $f = 8\text{ MHz}$
Input voltage ^{*3}	V_{IL}	-0.3^{*1}	—	0.8	V	
	V_{IH}	2.2	—	$V_{CC} + 0.3^{*2}$	V	
Output voltage	V_{OL}	—	—	0.45	V	$I_{OL} = 2.1\text{ mA}$
	V_{OH}	2.4	—	—	V	$I_{OH} = -400\ \mu\text{A}$

- Notes: 1. V_{IL} min = -2.0 V for pulse width $\leq 20\text{ ns}$.
 2. V_{IH} max = $V_{CC} + 1.5\text{ V}$ for pulse width $\leq 20\text{ ns}$.
 If V_{IH} is over the specified maximum value, read operation cannot be guaranteed.
 3. Only defined for DC and long cycle function test.
 V_{IL} max = 0.45 V , V_{IH} min = 2.4 V for AC function test.

AC Characteristics ($V_{CC} = 5\text{ V} \pm 10\%$, $V_{PP} = V_{SS}$ to V_{CC} , $T_a = 0$ to $+70^\circ\text{C}$)

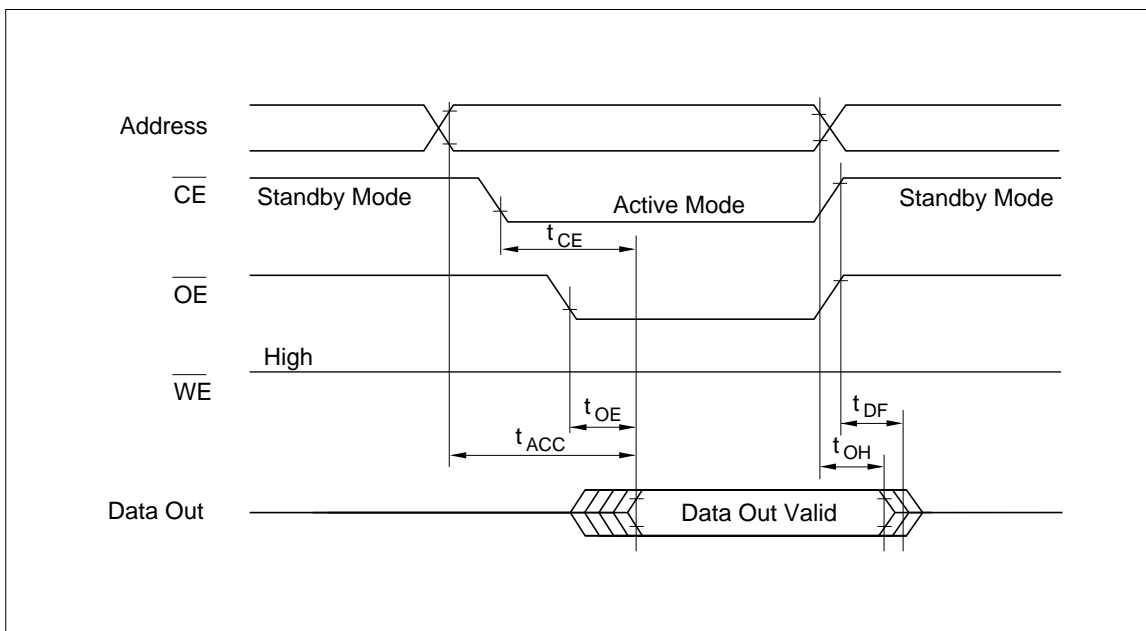
Test Conditions

- Input pulse levels: 0.45 V/2.4 V
- Input rise and fall times: 10 ns
- Output load: 1TTL Gate + 100 pF (Including scope and jig.)
- Reference levels for measuring timing: 0.8 V, 2.0 V

Parameter	Symbol	HN28F101-12		HN28F101-15		HN28F101-20		Unit	Test condition
		Min	Max	Min	Max	Min	Max		
Address to output delay	t_{ACC}	—	120	—	150	—	200	ns	$\overline{CE} = \overline{OE} = V_{IL}$
\overline{CE} to output delay	t_{CE}	—	120	—	150	—	200	ns	$\overline{OE} = V_{IL}$
\overline{OE} to output delay	t_{OE}	—	60	—	70	—	80	ns	$\overline{CE} = V_{IL}$
\overline{OE} high to output float*1	t_{DF}	0	40	0	50	0	60	ns	$\overline{CE} = V_{IL}$
Address to output hold	t_{OH}	5	—	5	—	5	—	ns	$\overline{CE} = \overline{OE} = V_{IL}$

Note: 1. t_{DF} is defined as the time at which the output achieves the open circuit condition and data is no longer driven.

Read Timing Waveform

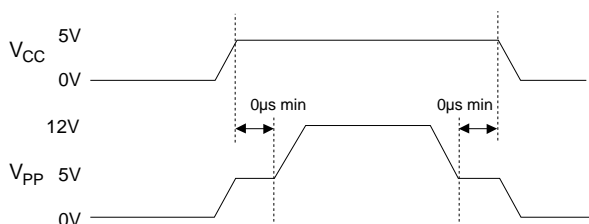


Command Programming/Data Programming/Erase Operation

DC Characteristics ($V_{CC} = 5\text{ V} \pm 10\%$, $V_{PP} = 12.0\text{ V} \pm 0.6\text{ V}$, $T_a = 0\text{ to }+70^\circ\text{C}$)

Parameter	Symbol	Min	Typ	Max	Unit	Test condition	
Input leakage current	I_{LI}	—	—	2	μA	$V_{in} = 0\text{ V to }V_{CC}$	
Output leakage current	I_{LO}	—	—	2	μA	$V_{out} = 0\text{ V to }V_{CC}$	
Standby V_{CC} current	I_{SB1}	—	—	1	mA	$\overline{CE} = V_{IH}$	
	I_{SB2}	—	—	200	μA	$\overline{CE} = V_{CC}$	
Operating V_{CC} current	Read	I_{CC1}	—	6	15	mA	$I_{out} = 0\text{ mA}$, $f = 1\text{ MHz}$
		I_{CC2}	—	10	30	mA	$I_{out} = 0\text{ mA}$, $f = 8\text{ MHz}$
	Program	I_{CC3}	—	2	10	mA	
	Erase	I_{CC4}	—	10	40	mA	In automatic erase
		I_{CC5}	—	5	15	mA	In high-reliability erase
V_{PP} current	Read	I_{PP1}	—	—	1	mA	$V_{PP} = 12.6\text{ V}$
	Program	I_{PP2}	—	5	30	mA	In programming
	Erase	I_{PP3}	—	35	80	mA	In automatic erase
		I_{PP4}	—	10	30	mA	In high-reliability erase
Input voltage	V_{IL}	-0.3^{*4}	—	0.8	V		
	V_{IH}	2.2	—	$V_{CC} + 0.3^{*5}$	V		
Output voltage	V_{OL}	—	—	0.45	V	$I_{OL} = 2.1\text{ mA}$	
	V_{OH}	2.4	—	—	V	$I_{OH} = -400\ \mu\text{A}$	

Notes: 1. V_{CC}/V_{PP} power on/off timing
 V_{CC} must be applied before or simultaneously V_{PP} , and removed after or simultaneously V_{PP} .
 This V_{CC}/V_{PP} power on/off timing must be satisfied at V_{CC}/V_{PP} on/off caused by power failure.



- V_{PP} must not exceed 14 V including overshoot.
- An influence may be had upon device reliability if the device is installed or removed while $V_{PP} = 12\text{ V}$.
- V_{IL} min = -1.0 V for pulse width $\leq 20\text{ ns}$.
- If V_{IH} is over the specified maximum value, programming operation cannot be guaranteed.

AC Characteristics ($V_{CC} = 5\text{ V} \pm 10\%$, $V_{PP} = 12.0\text{ V} \pm 0.6\text{ V}$, $T_a = 0\text{ to }+70^\circ\text{C}$)

Test condition

- Input pulse levels: 0.45 V/2.4 V
- Input rise and fall times: 10 ns
- Output load: 1TTL Gate + 100 pF (Including scope and jig.)
- Reference levels for measuring timing: 0.8 V, 2.0 V

Parameter	Symbol	HN28F101-12		HN28F101-15		HN28F101-20		Test Unit condition
		Min	Max	Min	Max	Min	Max	
Command programming cycle time	t_{CWC}	120	—	150	—	200	—	ns
Address setup time	t_{AS}	0	—	0	—	0	—	ns
Address hold time	t_{AH}	60	—	60	—	60	—	ns
Data setup time	t_{DS}	50	—	50	—	50	—	ns
Data hold time	t_{DH}	10	—	10	—	10	—	ns
CE setup time	t_{CES}	0	—	0	—	0	—	ns
CE hold time	t_{CEH}	50	—	50	—	50	—	ns
V_{PP} setup time	t_{VPS}	100	—	100	—	100	—	ns
V_{PP} hold time	t_{VPH}	100	—	100	—	100	—	ns
\overline{WE} programming pulse width	t_{WEP}	70	—	70	—	80	—	ns
\overline{WE} programming pulse high time	t_{WEH}	40	—	40	—	40	—	ns
\overline{OE} setup time before command programming	t_{OEWS}	0	—	0	—	0	—	ns
\overline{OE} setup time before verify	t_{OERS}	6	—	6	—	6	—	μs
Verify access time	t_{VA}	—	120	—	150	—	200	ns
Verify access time in erase	t_{VAE}	—	300	—	300	—	300	ns
\overline{OE} setup time before status polling	t_{OEPS}	120	—	120	—	120	—	ns
Status polling access time	t_{SPA}	—	120	—	150	—	200	ns
Standby time before programming	t_{PPW}	25	—	25	—	25	—	μs
Standby time in erase	t_{ET}	9	11	9	11	9	11	ms
Output disable time* ³	t_{DF}	0	40	0	50	0	60	ns
Total erase time in automatic erase* ³	t_{AET}	—	30	—	30	—	30	s

- Notes:
1. \overline{CE} , \overline{OE} , and \overline{WE} must be fixed high during V_{PP} transition from 5 V to 12 V or from 12 V to 5 V.
 2. Refer to read operation when $V_{PP} = V_{CC}$ about read operation while $V_{PP} = 12 V$.
 3. t_{DF} is defined as the time at which the output achieves the open circuit condition and data is no longer driven.
 4. Address are taken into on the falling edge of write-enable pulse and addresses are latched on the rising edge of write-enable pulse during chip-enable is low. Data is latched on the rising edge of write-enable pulse during chip-enable is low.

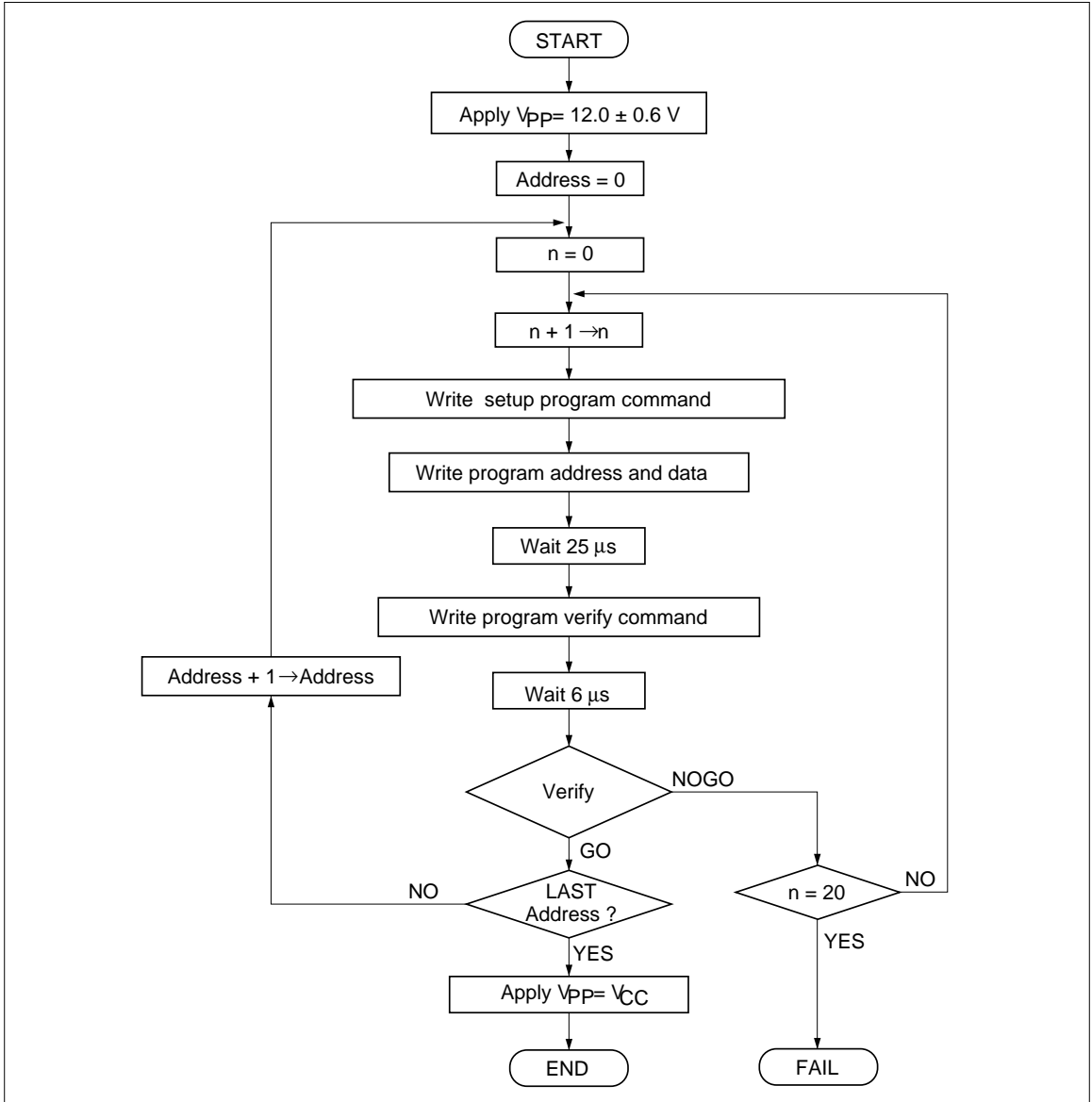
Erase and Program Time

	Erase and program mode	Min	Typ*4	Max	Unit
Chip (128 kB) erase time	Auto erase mode	—	1	30	second
	Fast high-reliability erase mode*2, 3	—	0.6	30	second
Chip (128 kB) program time	Fast high-reliability program mode*3	—	5	81*5	second

- Notes:
1. Each values are same for all read access version.
 2. Excludes pre-write process before erasure and verify process (6 μs x 128 kB).
 3. Excludes system overhead.
 4. $T_a = 25^\circ C$, $V_{PP} = 12 V$, $V_{CC} = 5 V$
 5. Theoretical value calculated from fast high-reliability programming flowchart.
(25 μs program + 6 μs verify) x 20 times x 128 kB = 81 second.

Fast High-Reliability Programming

This device can be applied the fast high-reliability programming algorithm shown in following flowchart. This algorithm allows to obtain faster programming time without any voltage stress to the device nor deterioration in reliability of programmed data.

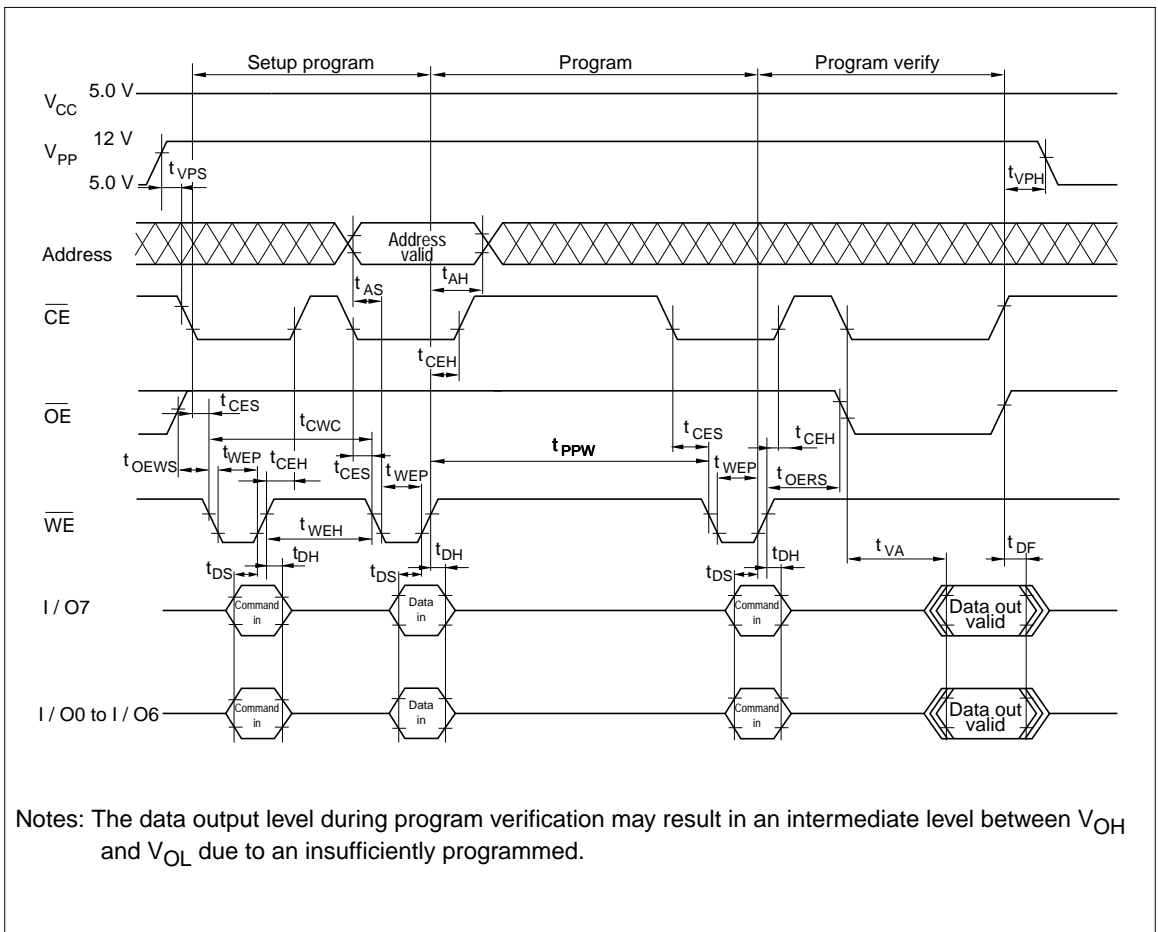


Fast High-Reliability Programming Flowchart

Notes: In case of two or more devices are programmed simultaneously, following steps should be applied to avoid over programming for the verified device .

- (1) Write set up program command to FFH,
- (2) Write program command to FFH,
- (3) Write program verify command to 00H and program verify address to read address.

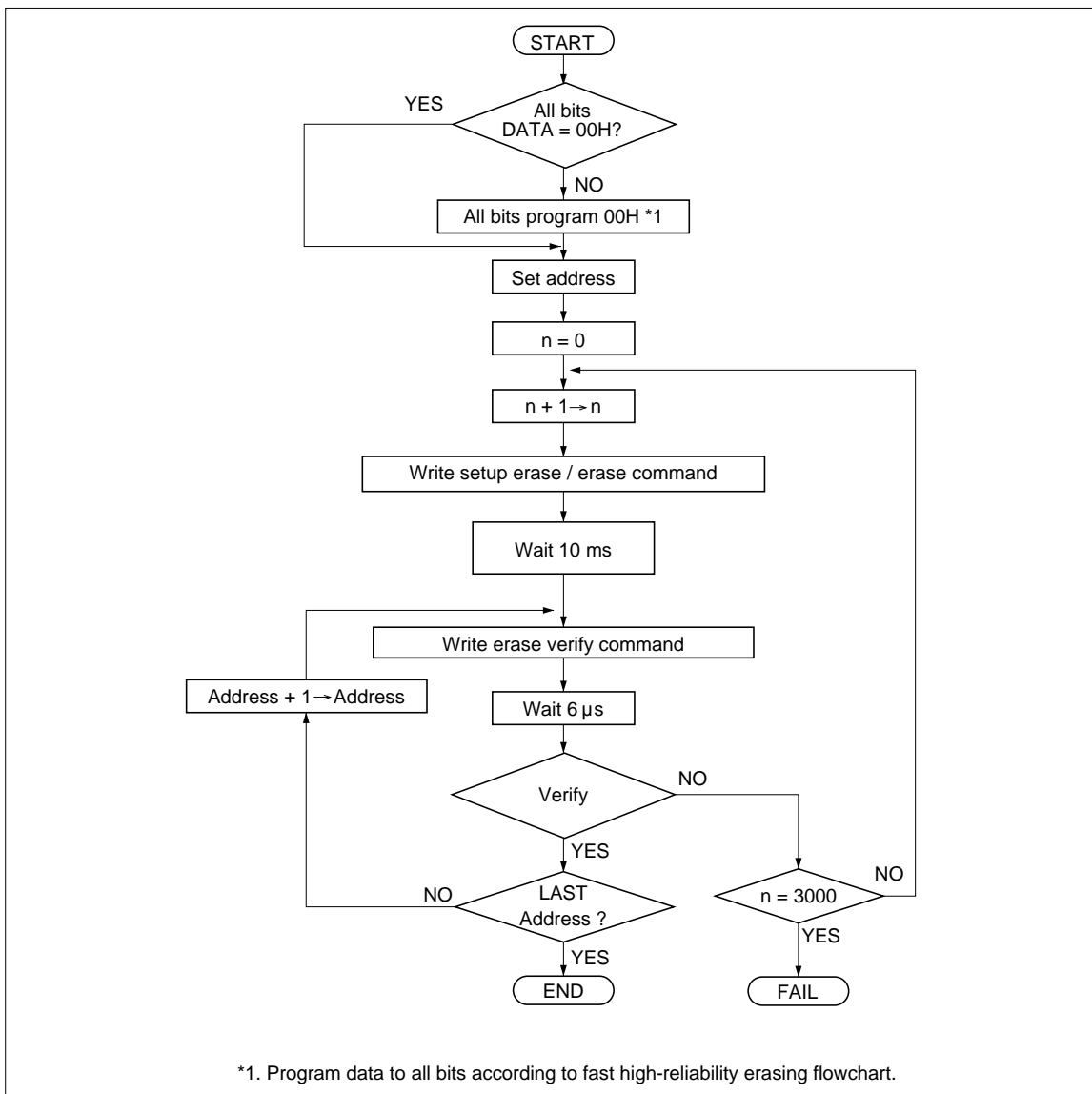
Fast High-Reliability Programming Timing Waveform



Notes: The data output level during program verification may result in an intermediate level between V_{OH} and V_{OL} due to an insufficiently programmed.

Fast High-Reliability Erase

This device can be applied the fast high-reliability erase algorithm shown in following flowchart
 This algorithm allows to obtain faster erase time without any voltage any voltage stress to the device nor deterioration in reliability of data.

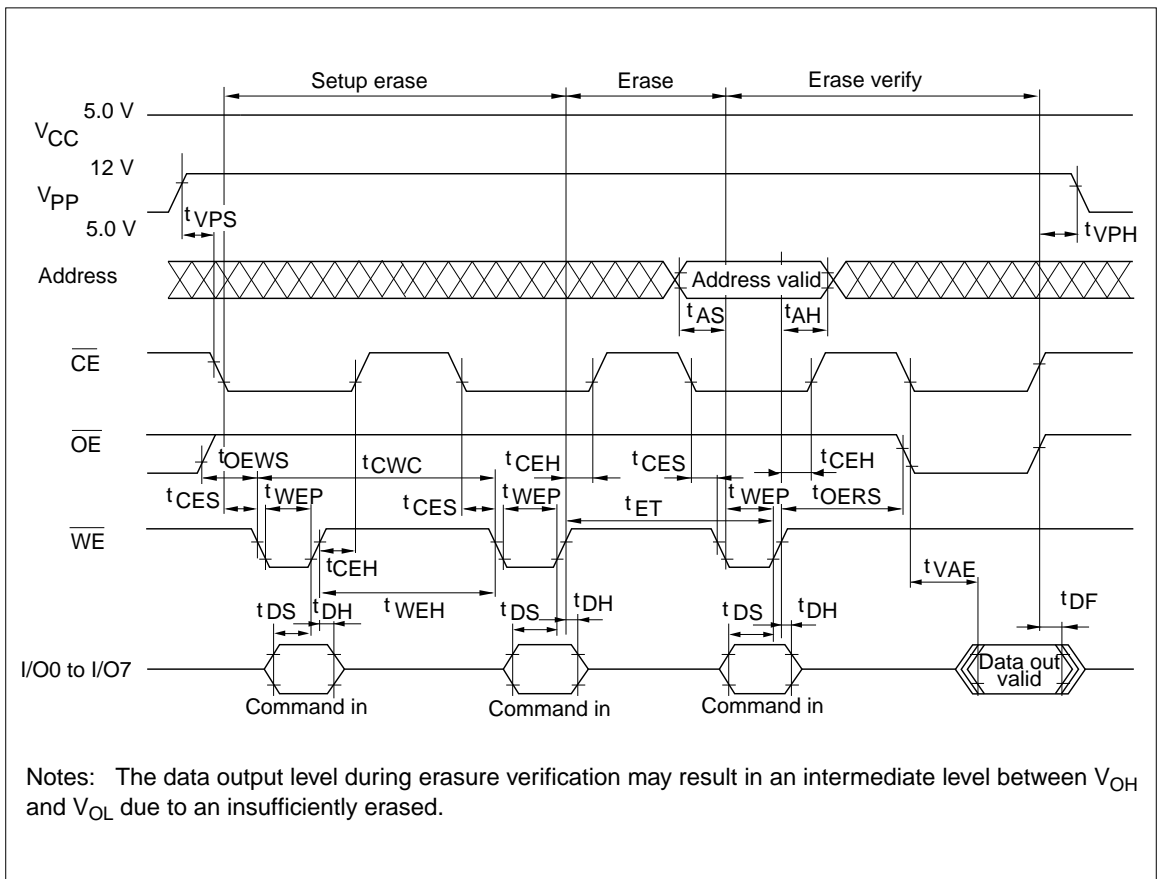


Fast High-Reliability Erasing Flowchart

Notes: In case of two or more devices are erased simultaneously, following steps should be applied to avoid over erase for verified device.

- (1) Write set up erase command to A0H and set erase verify address to verify address.
- (2) Write erase command to A0H.
- (3) Write erase verify command to A0H.

Erase Timing Waveforms



Mode Description

Device Identifier Mode

The device identifier mode allows the reading out of binary codes that identify manufacturer and type of device, from outputs of flash memory. By this mode, the device will be automatically matched its own corresponding erase and programming algorithm, using programming equipment.

HN28F101 Series Identifier Code

Identifier	Pins	A0	I/O7	I/O6	I/O5	I/O4	I/O3	I/O2	I/O1	I/O0	Hex
	DIP, SOP, PLCC TSOP	(12) (20)	(21) (29)	(20) (28)	(19) (27)	(18) (26)	(17) (25)	(15) (23)	(14) (22)	(13) (21)	Data
Manufacturer code		V _{IL}	0	0	0	0	0	1	1	1	07
Device code		V _{IH}	0	0	0	1	1	0	0	1	19

- Notes :
1. Device identifier code can be read out by applying 12.0 V ±0.5 V to A9 when V_{PP} = V_{CC}, or inputting command while V_{PP} is 12 V.
 2. A1 to A8, A10 to A16, and $\overline{CE} = \overline{OE} = V_{IL}$, $\overline{WE} = V_{IH}$
 3. V_{CC} = V_{PP} = 5 V ±10%